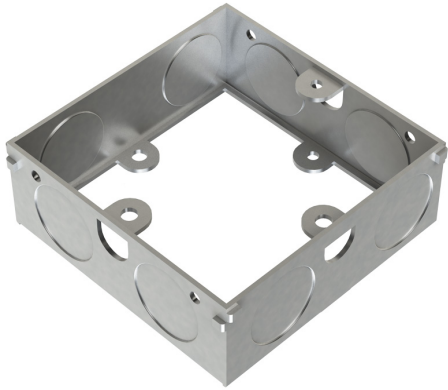


**PRODUCT CODE: EWS11**  
SWITCH & SOCKET BOX



**DESCRIPTION**

25mm Extension Switch & Socket Box

**FINISH**

Pre Galvanised

**MATERIAL**

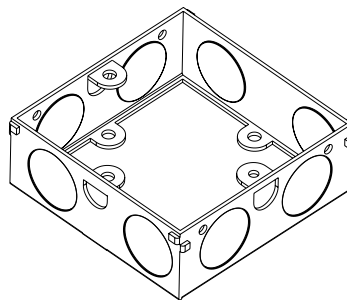
Sheet steel to comply with BS4662

**PACKAGING**

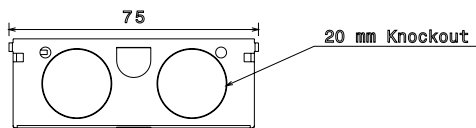
Packed in qty 10

**ADDITIONAL NOTES**

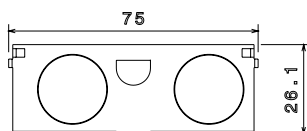
1 fixed lug and 1 adjustable lug, 20mm knockouts  
Compliant to BS4662 & LU Standard 1-085 (for use on surface & sub-surface locations)



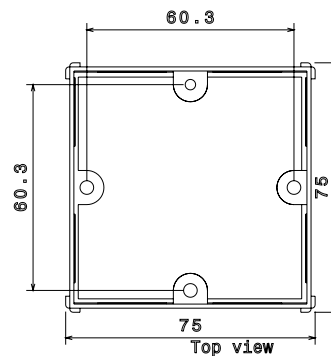
Isometric view



Front view



Side view



Top view